

USF Patents

September 2018

Six-sided die

Victoria Lynn Statzer

Follow this and additional works at: https://scholarcommons.usf.edu/usf_patents

Recommended Citation

Statzer, Victoria Lynn, "Six-sided die" (2018). *USF Patents*. 1066.
https://scholarcommons.usf.edu/usf_patents/1066

This Article is brought to you for free and open access by Scholar Commons. It has been accepted for inclusion in USF Patents by an authorized administrator of Scholar Commons. For more information, please contact scholarcommons@usf.edu.



US00D828875S

(12) **United States Design Patent**
Statzer

(10) **Patent No.:** **US D828,875 S**

(45) **Date of Patent:** **** Sep. 18, 2018**

(54) **SIX-SIDED DIE**

OTHER PUBLICATIONS

(71) Applicant: **Victoria Lynn Statzer**, St. Petersburg,
FL (US)

Ako Dice by Ako Dice dated no date given. Found online [Sep. 19, 2017] <http://www.ako-dice.com/store>.*

(Continued)

(72) Inventor: **Victoria Lynn Statzer**, St. Petersburg,
FL (US)

Primary Examiner — Philip S Hyder

Assistant Examiner — Ryan Harvey

(73) Assignee: **University of South Florida**, Tampa,
FL (US)

(74) *Attorney, Agent, or Firm* — Nicholas Pfeifer; Smith & Hopen, P.A.

(**) Term: **15 Years**

(57) **CLAIM**

The ornamental design for a six-sided die, as substantially shown and described.

(21) Appl. No.: **29/554,214**

DESCRIPTION

(22) Filed: **Feb. 9, 2016**

Related U.S. Application Data

(63) Continuation-in-part of application No. 14/745,853, filed on Jun. 22, 2015, now Pat. No. 9,415,298.

(51) **LOC (11) Cl.** **21-03**

(52) **U.S. Cl.**
USPC **D21/373**

(58) **Field of Classification Search**
USPC D21/373, 604, 367, 351, 386, 372, 385, D21/498, 714, 479, 707, 708; 273/161, 273/146, 274, 292, 138.1, 268; D11/90, D11/142; D19/59, 96, 62, 25, 181, 909; D8/382, 397; D99/99; D25/13; D26/130; 52/DIG. 10; D20/99;

(Continued)

(56) **References Cited**

U.S. PATENT DOCUMENTS

D268,851 S * 5/1983 Mack D21/373
D269,983 S * 8/1983 Lapadura D21/373

(Continued)

FIG. 1 is an isometric view showing the front, top and left side of a six-sided die design;

FIG. 2 is an isometric view showing the bottom, back and right side of the six-sided die design, which is an opposite and flipped perspective of that shown in FIG. 1;

FIG. 3 is a top view of the die shown in FIGS. 1 and 2, wherein the visible side includes six grooves;

FIG. 4 is a front view of the die shown in FIGS. 1 and 2, wherein the visible side includes five grooves;

FIG. 5 is a bottom view of the die shown in FIGS. 1 and 2, wherein the visible side includes four grooves;

FIG. 6 is a rear view of the die shown in FIGS. 1 and 2, wherein the visible side includes three grooves;

FIG. 7 is a right side view of the die shown in FIGS. 1 and 2, wherein the visible side includes two grooves; and

FIG. 8 is a left side view of the die shown in FIGS. 1 and 2, wherein the visible side includes a single groove.

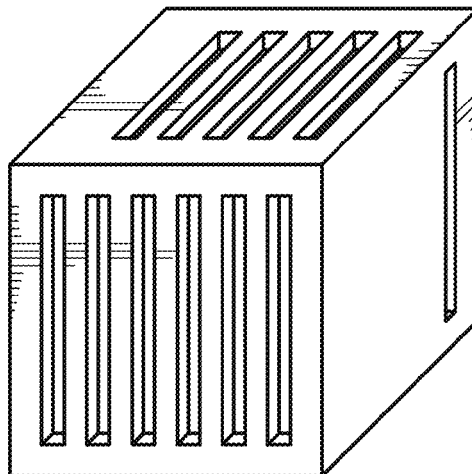
FIG. 9 is an isometric view showing the front, top and right side of the six-sided die design;

FIG. 10 is an isometric view showing the front, bottom and right side of the six-sided die design;

FIG. 11 is an isometric view showing the front, bottom and left side of the six-sided die design; and,

FIG. 12 is an isometric view showing the back, bottom and left side of the six-sided die design.

1 Claim, 3 Drawing Sheets



(58) **Field of Classification Search**

USPC D30/160; 446/256; 473/569; 434/172;
D24/155, 101, 106; D15/126, 90;
D9/431, 680; D1/127; D22/116;
D14/226; D7/515, 510, 511, 523
CPC A63F 9/04; A63F 3/00157; A63F 9/0413;
A63F 9/0415; A63F 9/0468; A63F
2009/0484; G07F 17/32

See application file for complete search history.

(56) **References Cited**

U.S. PATENT DOCUMENTS

D304,208 S * 10/1989 Loftus D21/373
D313,250 S * 12/1990 Pacitti D21/373
D314,018 S * 1/1991 Rosenthal D21/373
D408,061 S * 4/1999 Borg D21/337
D441,806 S * 5/2001 Bensimon D21/373
D553,694 S * 10/2007 Oharenko D21/373
D561,842 S * 2/2008 Bowling D21/373
D579,057 S * 10/2008 Arms D21/373
D695,350 S * 12/2013 Doleshal D20/99
9,415,298 B1 * 8/2016 Statzer A63F 9/0415
9,737,793 B1 * 8/2017 Statzer A63F 9/20

OTHER PUBLICATIONS

Dicebox by Kickstarter dated Aug. 30, 2017. Found online [Sep. 19, 2017] <https://www.kickstarter.com/projects/1486264746/dicebox-protect-your-collectable-dice-during-game/updates>.*

* cited by examiner

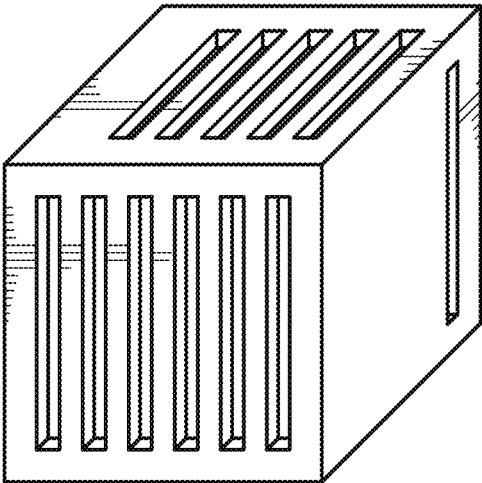


FIG. 1

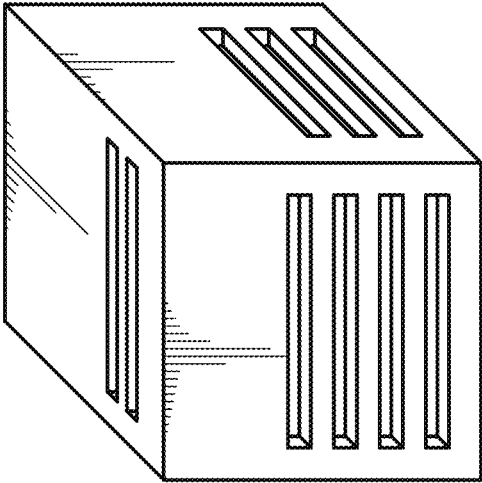


FIG. 2

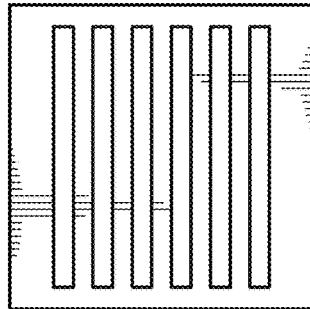


FIG. 3

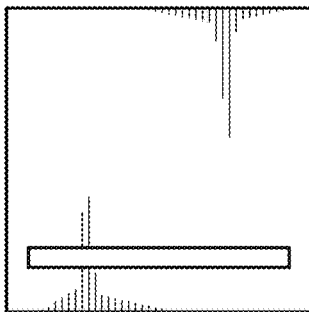


FIG. 8

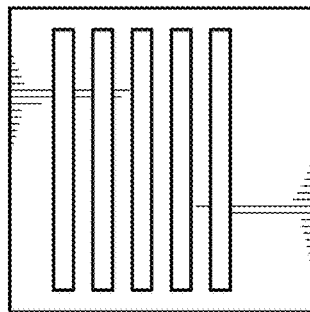


FIG. 4

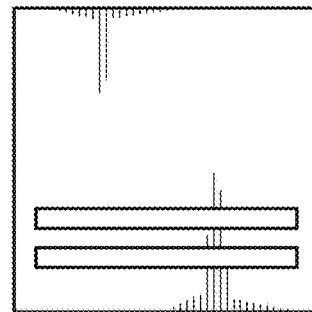


FIG. 7

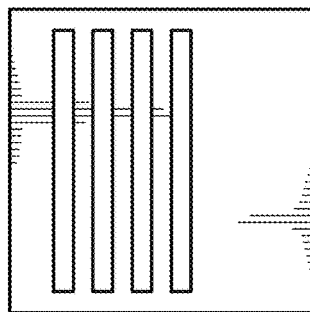


FIG. 5

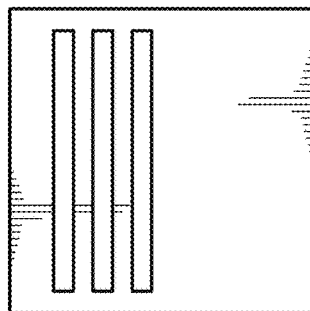


FIG. 6

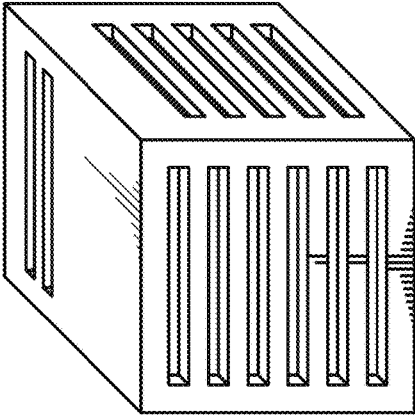


FIG. 9

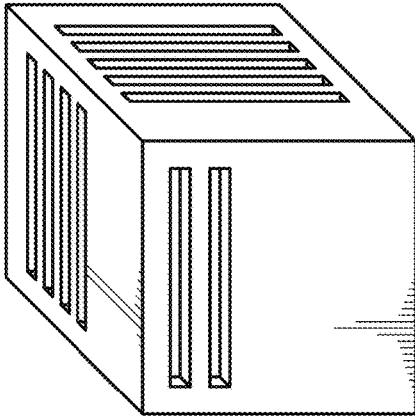


FIG. 10

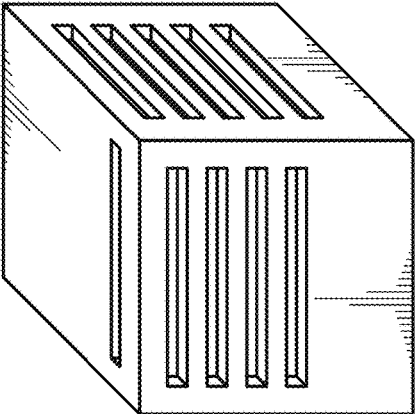


FIG. 11

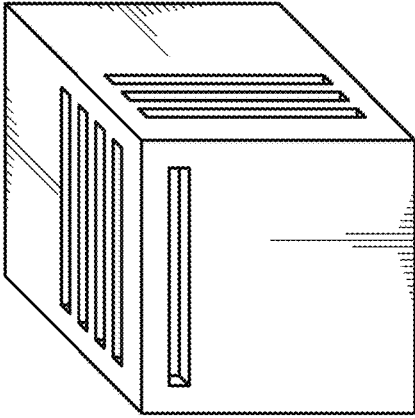


FIG. 12