

USF Patents

November 2011

Mouth prop

Yisset Vanessa Penaloza

Vanessa Ortiz

Charissa Enid Powell

Erin Gilkey

Follow this and additional works at: http://scholarcommons.usf.edu/usf_patents

Recommended Citation

Penaloza, Yisset Vanessa; Ortiz, Vanessa; Powell, Charissa Enid; and Gilkey, Erin, "Mouth prop" (2011). *USF Patents*. Paper 447.
http://scholarcommons.usf.edu/usf_patents/447

This Patent is brought to you for free and open access by Scholar Commons. It has been accepted for inclusion in USF Patents by an authorized administrator of Scholar Commons. For more information, please contact scholarcommons@usf.edu.



(12) **United States Design Patent**
Penaloza et al.

(10) **Patent No.:** **US D649,637 S**
(45) **Date of Patent:** **** Nov. 29, 2011**

(54) **MOUTH PROP**

(75) Inventors: **Yisset Vanessa Penaloza**, Tampa, FL (US); **Vanessa Ortiz**, Coralville, IA (US); **Charissa Enid Powell**, Melbourne, FL (US); **Erin Gilkey**, Hermosa Beach, CA (US)

(73) Assignee: **University of South Florida**, Tampa, FL (US)

(**) Term: **14 Years**

(21) Appl. No.: **29/383,178**

(22) Filed: **Jan. 13, 2011**

(51) **LOC (9) Cl.** **24-02**

(52) **U.S. Cl.** **D24/135**

(58) **Field of Classification Search** D24/135, D24/136, 143, 152, 176, 178; 433/140; 600/238, 600/239

See application file for complete search history.

(56) **References Cited**

U.S. PATENT DOCUMENTS

350,809	A *	10/1886	Cole et al.	600/219
1,401,190	A *	12/1921	Risley	600/215
2,220,674	A *	11/1940	Bloomheart	600/238
2,614,325	A *	10/1952	Hartig	433/138
D190,787	S *	6/1961	Schneider	D24/143

3,854,482	A *	12/1974	Laugherty et al.	606/120
D267,586	S *	1/1983	Hatlen	D24/176
4,887,965	A *	12/1989	Fox	433/140
4,991,566	A *	2/1991	Shulman et al.	600/213
5,423,831	A *	6/1995	Nates	606/120
5,462,435	A *	10/1995	Young	433/140
D517,884	S *	3/2006	Ellingwood	D8/51
7,066,735	B1 *	6/2006	Gasporra	433/140

* cited by examiner

Primary Examiner — Bridget L Eland

(74) *Attorney, Agent, or Firm* — Jeremy Spier; Smith & Hopen, P.A.

(57) **CLAIM**

The ornamental design for a mouth prop, as substantially shown and described.

DESCRIPTION

FIG. 1 is an isometric view of a mouth prop showing our new design;

FIG. 2 is a first side view thereof;

FIG. 3 is a second side view thereof;

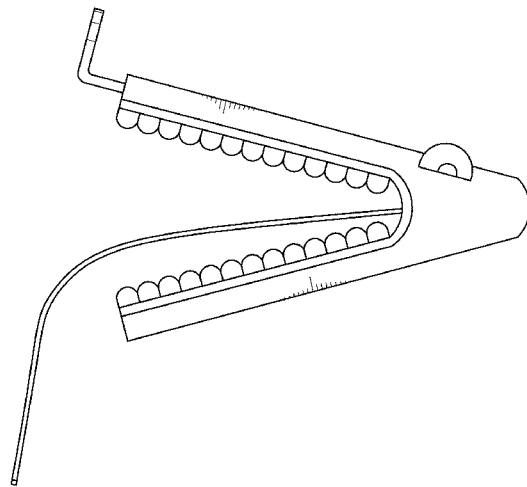
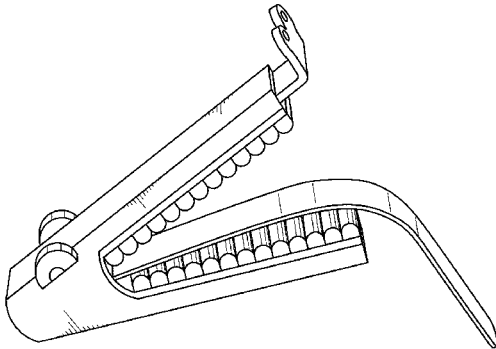
FIG. 4 is a top view thereof;

FIG. 5 is a bottom view thereof;

FIG. 6 is a front view thereof; and,

FIG. 7 is a rear view thereof.

1 Claim, 4 Drawing Sheets



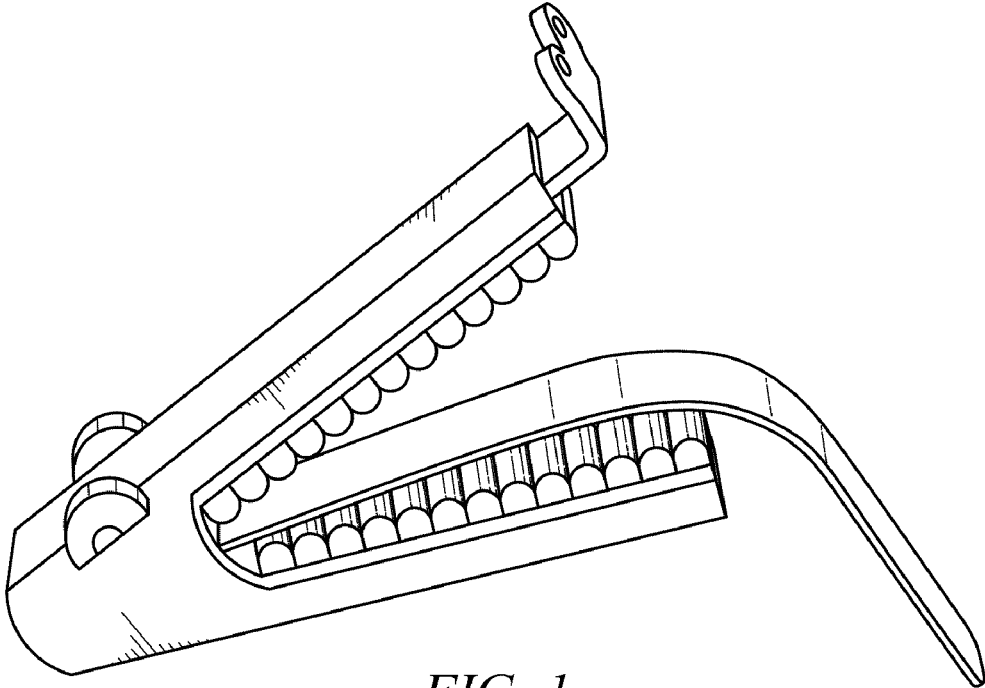


FIG. 1

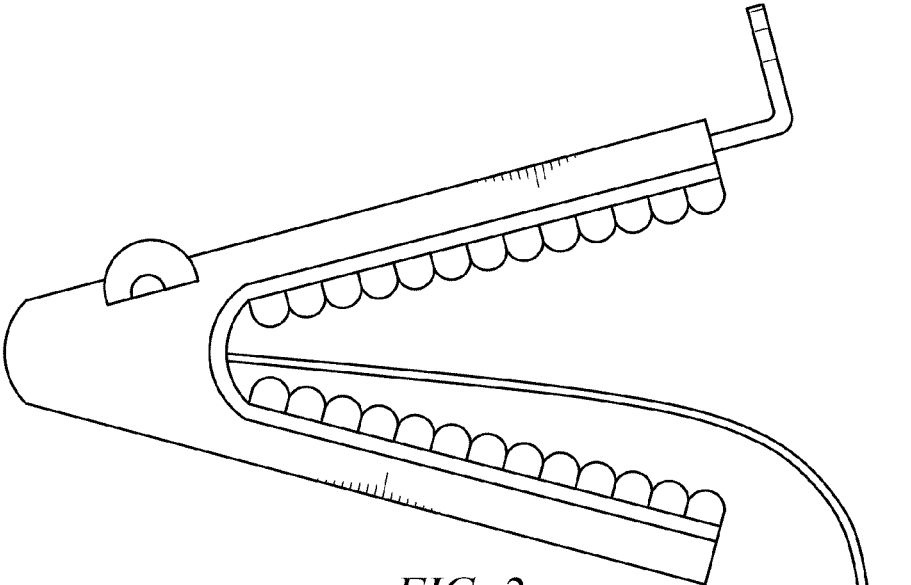


FIG. 2

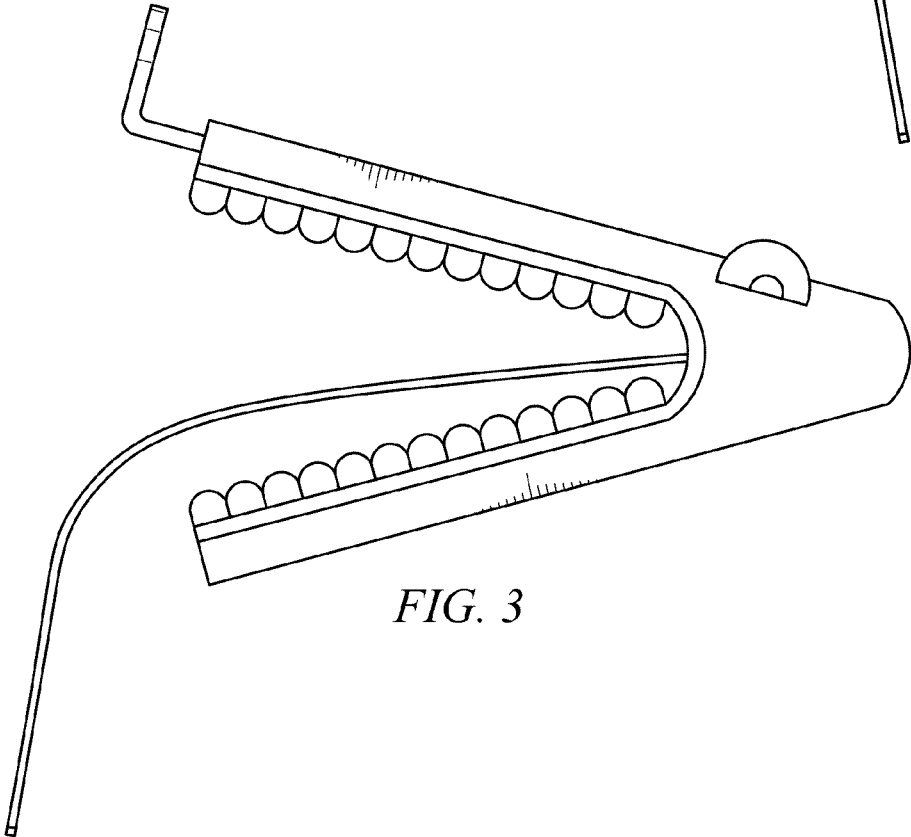


FIG. 3

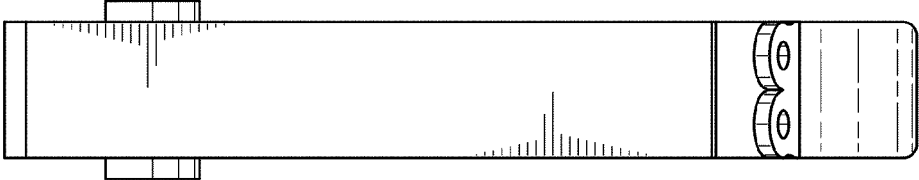


FIG. 4

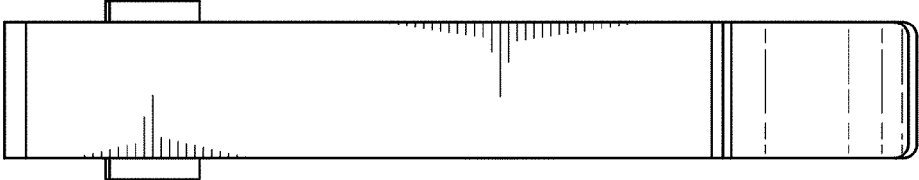


FIG. 5

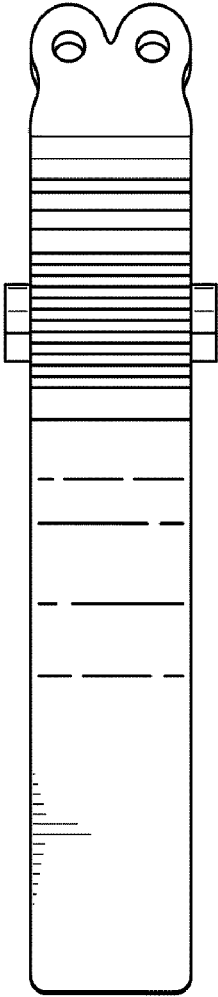


FIG. 6

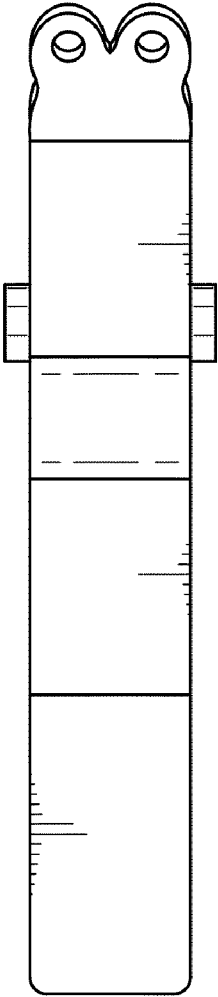


FIG. 7