

USF Patents

---

June 2014

## Wiper blade ornament

Paul R. Sanberg

Follow this and additional works at: [https://digitalcommons.usf.edu/usf\\_patents](https://digitalcommons.usf.edu/usf_patents)

---

### Recommended Citation

Sanberg, Paul R., "Wiper blade ornament" (2014). *USF Patents*. 129.  
[https://digitalcommons.usf.edu/usf\\_patents/129](https://digitalcommons.usf.edu/usf_patents/129)

This Patent is brought to you for free and open access by Digital Commons @ University of South Florida. It has been accepted for inclusion in USF Patents by an authorized administrator of Digital Commons @ University of South Florida. For more information, please contact [digitalcommons@usf.edu](mailto:digitalcommons@usf.edu).

(12) **United States Design Patent**  
**Sanberg**

(10) **Patent No.:** **US D707,612 S**  
(45) **Date of Patent:** **\*\* Jun. 24, 2014**

- (54) **WIPER BLADE ORNAMENT**
- (71) Applicant: **Paul R. Sanberg**, Spring Hill, FL (US)
- (72) Inventor: **Paul R. Sanberg**, Spring Hill, FL (US)
- (73) Assignee: **University of South Florida**, Tampa, FL (US)
- (\*\*) Term: **14 Years**
- (21) Appl. No.: **29/467,860**
- (22) Filed: **Sep. 24, 2013**
- (51) **LOC (10) Cl.** ..... **12-06**
- (52) **U.S. Cl.**  
USPC ..... **D12/220**
- (58) **Field of Classification Search**  
USPC ..... D12/220, 219; 15/246, 247, 250.001, 15/250.4, 250.361, 250.19, 250.48, 15/250.03, 250.31–250.33, 250.201, 15/250.451, 250.458, 250.04, 250.07, 15/250.44
- See application file for complete search history.

- D668,299 S 10/2012 Bengyak  
D674,844 S 1/2013 Bengyak  
D675,678 S 2/2013 Bengyak  
D676,087 S 2/2013 Bengyak  
D681,126 S 4/2013 Bengyak  
D684,634 S 6/2013 Bengyak  
2005/0235448 A1 10/2005 Richard

\* cited by examiner

*Primary Examiner* — Katrina A Betton  
(74) *Attorney, Agent, or Firm* — Nicholas Pfeifer; Smith & Hopen, P.A.

(57) **CLAIM**  
The ornamental design for a wiper blade ornament, as shown and described.

**DESCRIPTION**

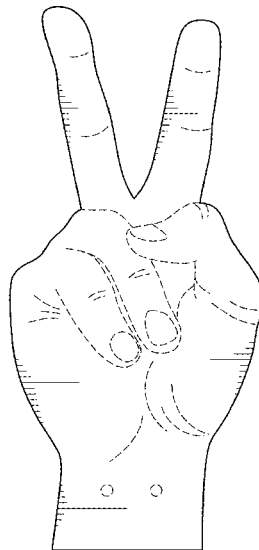
FIG. 1 is a perspective view of a wiper blade ornament, showing the novel design;  
FIG. 2 is a front plan view of the wiper blade ornament shown in FIG. 1;  
FIG. 3 is a rear plan view of the wiper blade ornament shown in FIG. 1;  
FIG. 4 is a front plan view of the wiper blade ornament of FIG. 1 attached to a windshield wiper blade;  
FIG. 5 is a close-up view of the wiper blade ornament attached to a windshield wiper blade as shown in FIG. 4;  
FIG. 6 is a perspective view of an alternative embodiment of a wiper blade ornament, showing the novel design;  
FIG. 7 is a front plan view of the wiper blade ornament shown in FIG. 6;  
FIG. 8 is a rear plan view of the wiper blade ornament shown in FIG. 6;  
FIG. 9 is a front plan view of the wiper blade ornament of FIG. 6 attached to a windshield wiper blade; and,  
FIG. 10 is a close-up view of the wiper blade ornament attached to a windshield wiper blade as shown in FIG. 9.

(56) **References Cited**

U.S. PATENT DOCUMENTS

D260,626 S *	9/1981	Kadar	.....	D11/160
4,352,461 A *	10/1982	Orta et al.	.....	239/211
4,486,975 A *	12/1984	Harreld et al.	.....	446/220
D295,640 S *	5/1988	Breault	.....	D10/109.1
D354,038 S *	1/1995	Redhawk	.....	D12/191
D364,357 S	11/1995	Ledgerwood, II		
D391,308 S *	2/1998	Rapp	.....	D21/405
D464,376 S *	10/2002	Zimmerman	.....	D20/33
D565,278 S *	4/2008	Harland	.....	D2/615
D567,476 S *	4/2008	Harland	.....	D2/615
D586,716 S	2/2009	Radfar		
D587,314 S *	2/2009	Carnation, III	.....	D20/33
D646,841 S *	10/2011	Roman	.....	D28/7
D662,553 S *	6/2012	Selbe	.....	D20/33

**1 Claim, 8 Drawing Sheets**



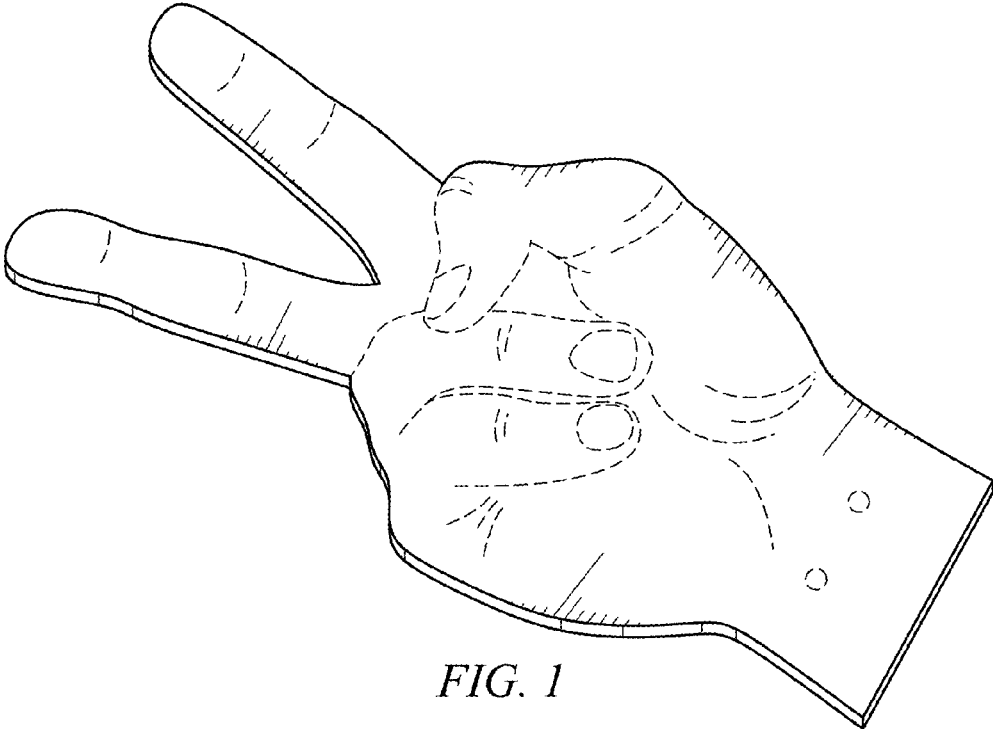


FIG. 1

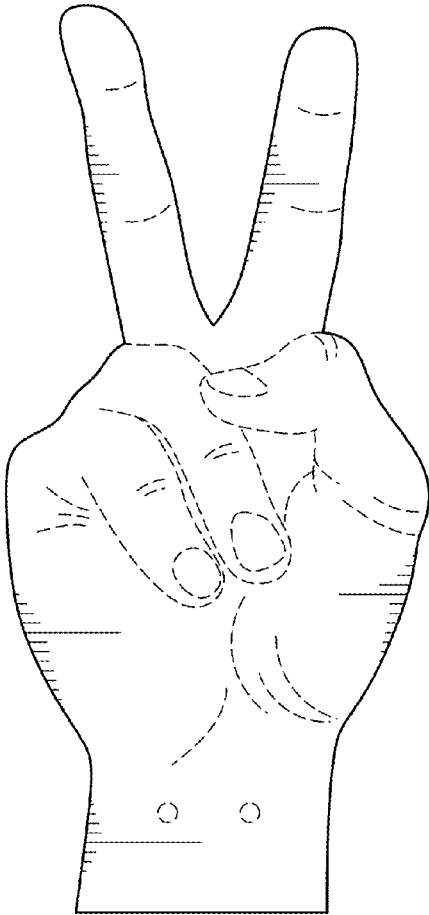


FIG. 2

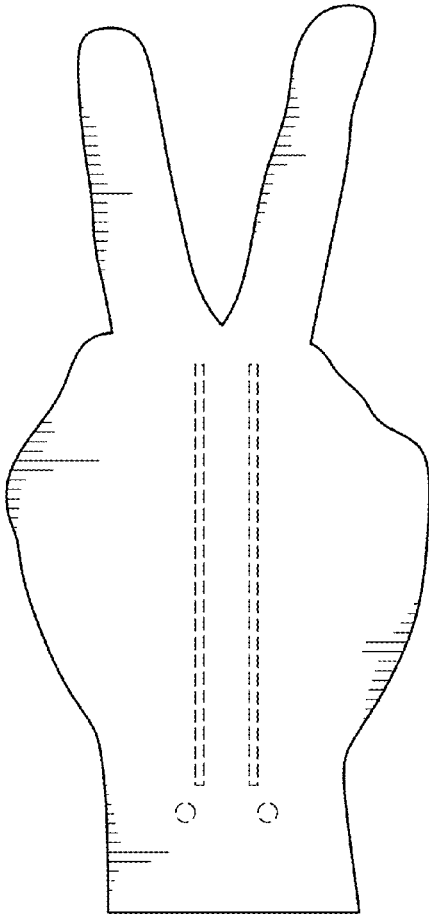


FIG. 3

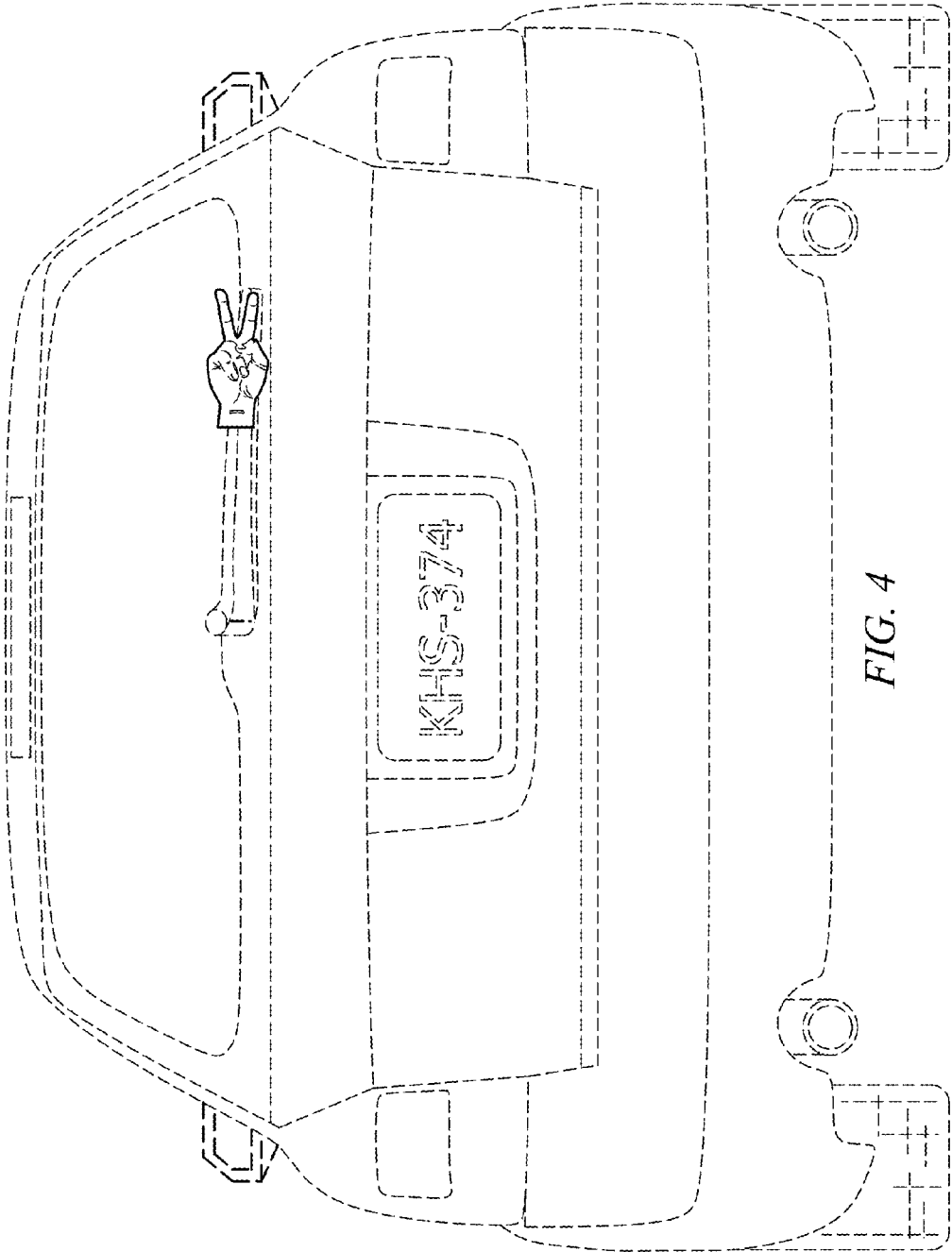


FIG. 4

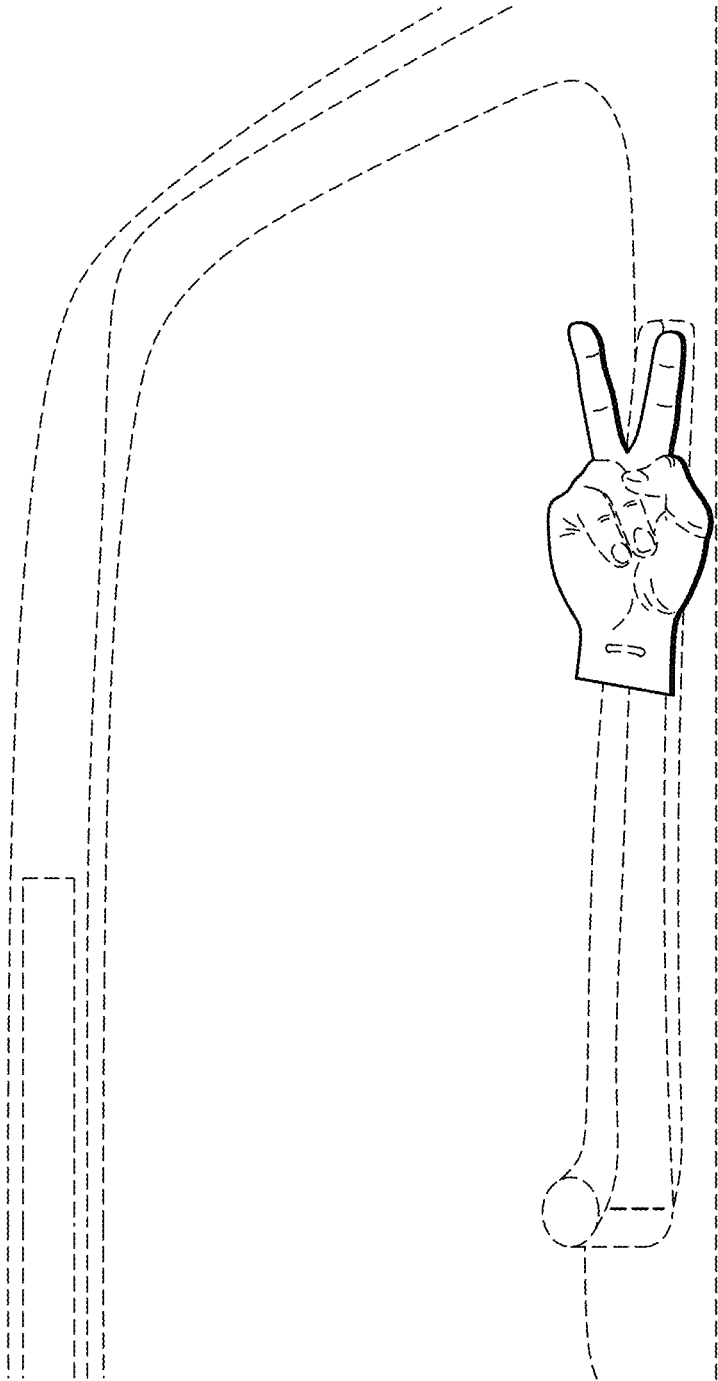


FIG. 5

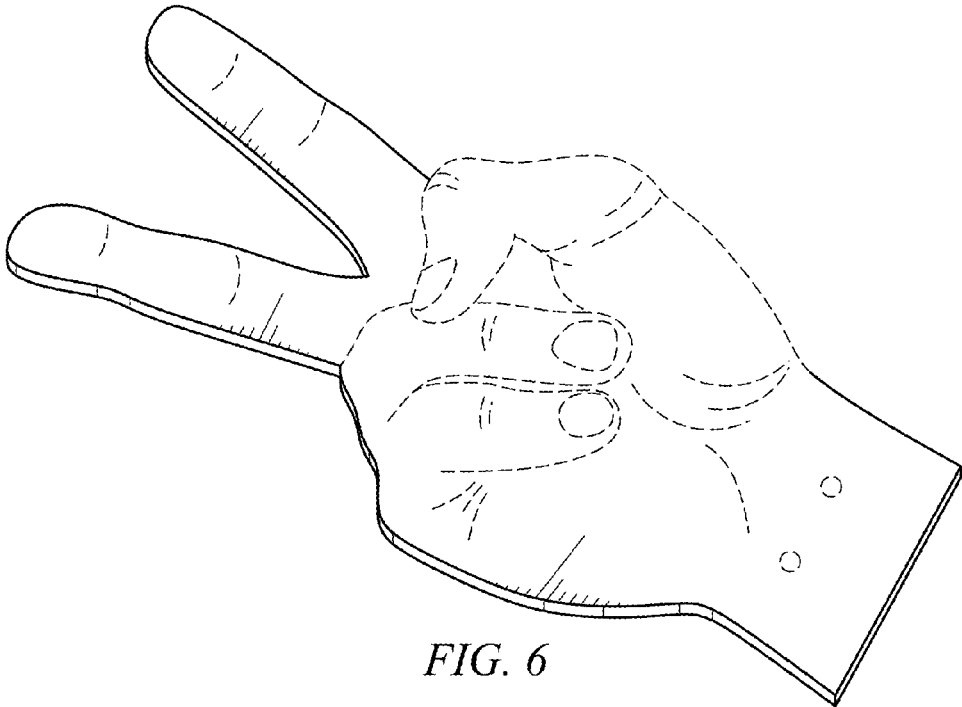


FIG. 6

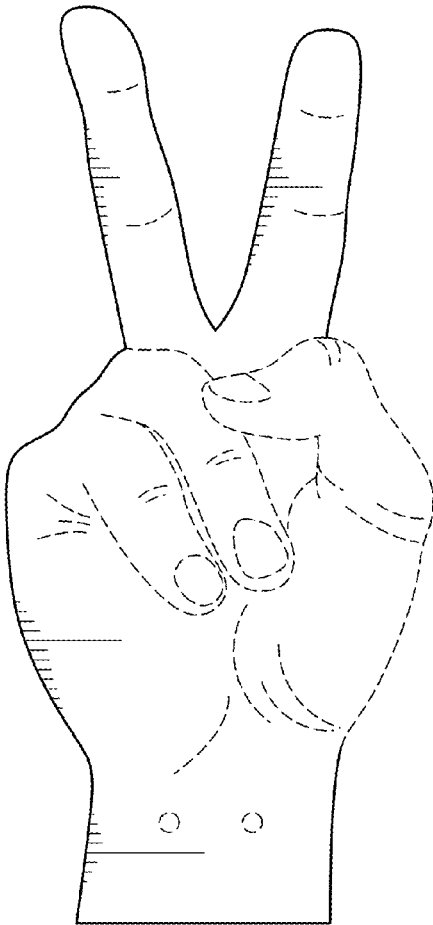


FIG. 7

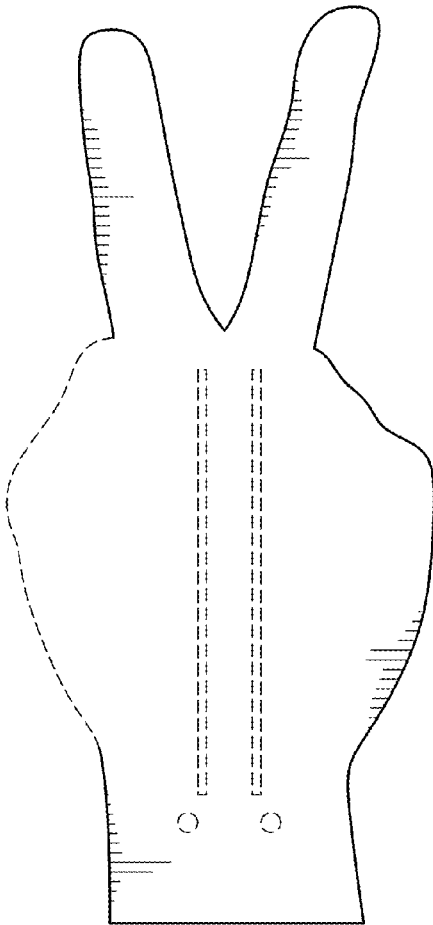


FIG. 8



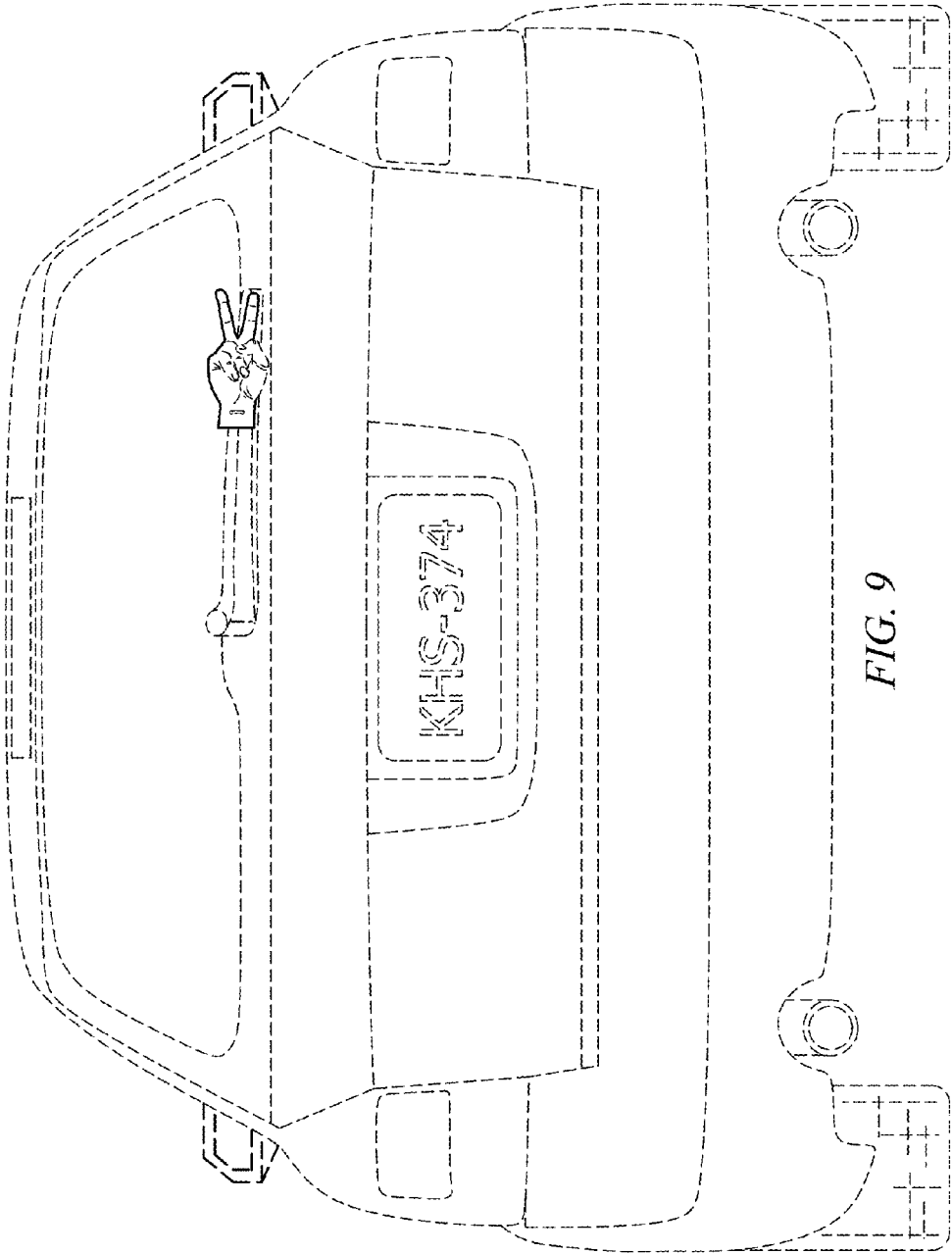


FIG. 9

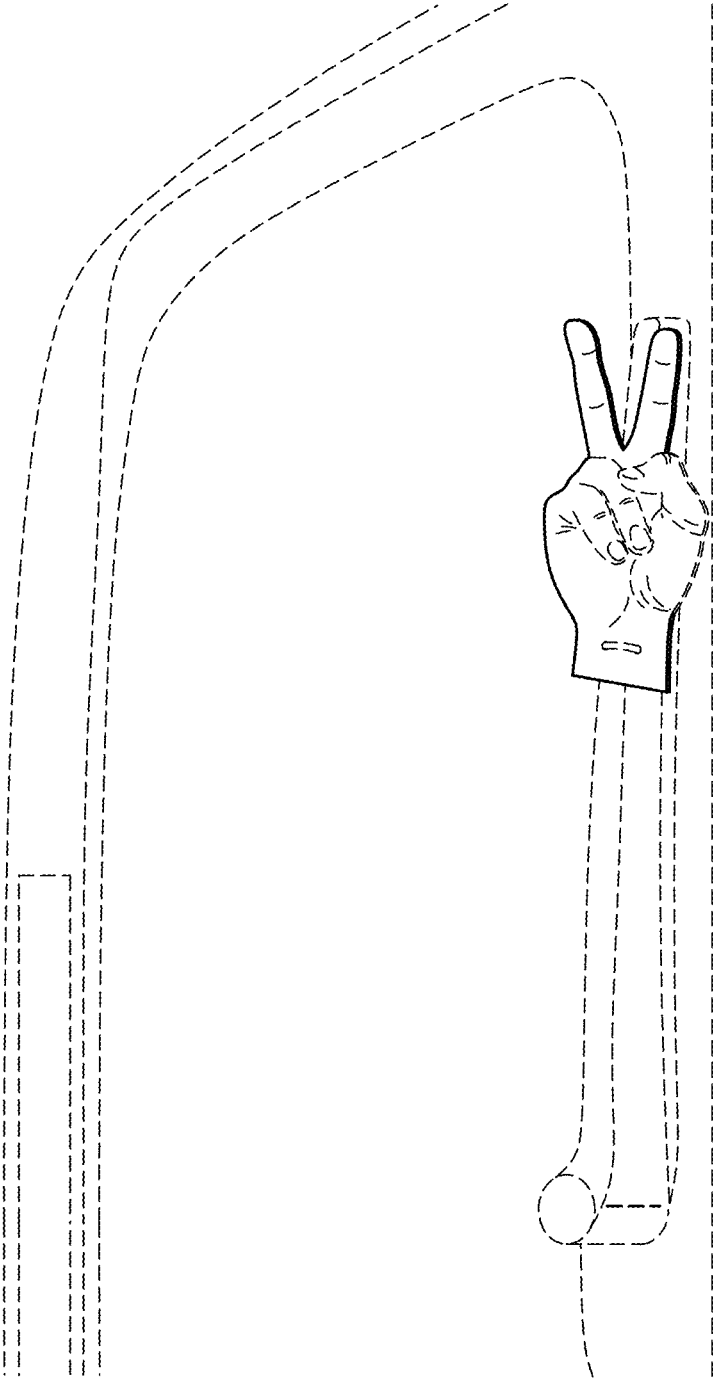


FIG. 10