

2-18-1992

Concentration of Microbial Populations from Aquatic Environments by Vortex Flow Filtration

Sunny C. Jiang
University of South Florida

Jennifer M. Thurmond
University of South Florida

Scott L. Pichard
University of South Florida

John H. Paul
University of South Florida, jpaul@marine.usf.edu

Follow this and additional works at: https://scholarcommons.usf.edu/msc_facpub

 Part of the [Marine Biology Commons](#)

Scholar Commons Citation

Jiang, Sunny C.; Thurmond, Jennifer M.; Pichard, Scott L.; and Paul, John H., "Concentration of Microbial Populations from Aquatic Environments by Vortex Flow Filtration" (1992). *Marine Science Faculty Publications*. 103.

https://scholarcommons.usf.edu/msc_facpub/103

This Article is brought to you for free and open access by the College of Marine Science at Scholar Commons. It has been accepted for inclusion in Marine Science Faculty Publications by an authorized administrator of Scholar Commons. For more information, please contact scholarcommons@usf.edu.

Concentration of microbial populations from aquatic environments by Vortex Flow Filtration

Sunny C. Jiang, Jennifer M. Thurmond, Scott L. Pichard, John H. Paul*

Department of Marine Science, University of South Florida, 140 Seventh Avenue South, St. Petersburg, Florida 33701-5016, USA

ABSTRACT: Vortex Flow Filtration was used to concentrate particulate DNA, chlorophyll *a* and bacteria from freshwater, estuarine, coastal and oligotrophic marine environments. A Membrex Benchmark System with either a 100 kD or a 0.45 μm filter and a large-scale Pacesetter System with a 100 kD filter were used. The Benchmark System is ideal for processing 100 ml to 50 l of water, while the Pacesetter is designed for working with volumes from 20 l up to hundreds of liters. The Benchmark System with a 100 kD filter yielded an average recovery of 81.7, 83.3 and 80.5 % respectively for particulate DNA, chlorophyll *a* and bacteria. The efficiency of recovery with the Pacesetter System was 38.0, 38.1 and 43.6 % respectively for particulate DNA, chlorophyll *a*, and bacteria. The filtration rate was $66.5 \pm 10 \text{ l h}^{-1}$ for the Pacesetter and 7.8 l h^{-1} for the Benchmark System with the 100 kD filters. Our results indicate that the Benchmark System is suitable for quantitative studies that require a high efficiency of recovery using small volumes of water, while the Pacesetter is more suited for qualitative studies that require concentrating microbial populations from large quantities of water for genetic and molecular phylogenetic studies.

INTRODUCTION

Recent molecular technologies for the study of the composition of marine microbial communities require efficient harvesting of large quantities of microbial biomass. Because of the naturally low bacterial abundances, ca 10^5 cells ml^{-1} in oligotrophic and 10^7 cells ml^{-1} in estuarine and freshwater environments (Jannasch & Jones 1959, Watson et al. 1977, Kogure et al. 1979, Paul et al. 1985, 1986, 1987, 1989, David & Paul 1989), it is necessary to concentrate cells from large volumes (several liters to hundreds of liters) of water. Methods used previously to collect picoplankton for bulk analyses include direct filtration through cylindrical membrane filters (Somerville et al. 1989), vacuum filtration onto fluorocarbon-based filters (Fuhrman et al. 1988), tangential flow filtration (Barthel et al. 1989, Giovannoni et al. 1990) and hollow-fiber filtration (Sherr et al. 1987, Proctor & Fuhrman 1990). Only relatively small volumes can be filtered by the first 2 methods. The tangential

flow filtration system was first employed in the ocean sciences to concentrate picoplankton and nanoplankton by Barthel et al. (1989). Giovannoni et al. (1990a, b) used tangential flow filtration to concentrate up to 8000 l of water. Cell recovery in the concentrated slurries was reported to be 37 % by direct cell count (Giovannoni et al. 1990a, b). Hollow-fiber filtration enabled efficient concentration (96 %) of natural bacterial populations from 4 l of estuarine water (Sherr et al. 1987).

Vortex Flow Filtration (VFF) is a filtration technology based upon Taylor vortices (Taylor 1923). Taylor vortices are established in a vortex flow filtration device by rotation of a cylindrical filter inside a second cylinder (Fig. 1). The sample is fed under pressure between these 2 cylindrical surfaces, forcing fluids across the filter and into the inner cylinder for collection or out to waste. The vortices constantly keep the filter surface clean which prevents clogging and minimizes cell damage.

We have recently applied VFF to the concentration of viruses and dissolved DNA from marine environments (Paul et al. 1991). The efficiency of recovery was estimated to be 72.8 % and 80.0 % for viruses

* Addressee for correspondence

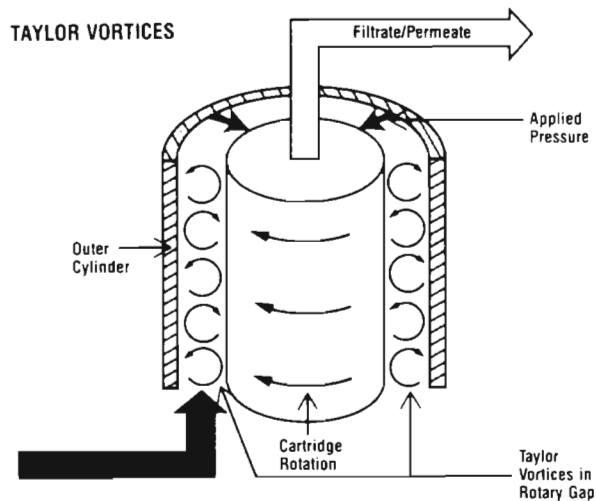


Fig. 1 Taylor vortices are created by rotating a cylinder at a critical velocity within a narrow annular gap. These vortices are pairs of counter-rotating 'rings' whose diameter is equivalent to the annular gap. This system dramatically reduces the problems of membrane fouling and concentration polarization. (Reproduced by permission of Membrex, Inc.)

and dissolved DNA, respectively. This methodology was also used to concentrate pathogens and viruses for isolation from aquatic environments (Reynolds et al. 1991). Here we describe the use of VFF for collection of microbial populations from estuarine, coastal, oligotrophic and freshwater environments. This procedure has resulted in efficient recovery of autotrophic and heterotrophic microbial populations as indicated by bacterial direct counts, chlorophyll *a* and particulate DNA.

MATERIALS AND METHODS

Field sampling sites. Freshwater samples were collected from the Medard Reservoir, Valrico, and Lake Maggorie, St. Petersburg, Florida, USA. These are shallow eutrophic bodies of water influenced by agriculture and urban runoff, respectively. Estuarine surface water samples were taken from Tampa Bay at Bayboro Harbor, Hooker's Point and The Pier, St. Petersburg. During a research cruise aboard RV 'Cape Hatteras' (# CH-12-90), water samples were taken in the Atlantic Ocean near Miami (25° 45.10' N, 80° 05.14' W), in Northwest Providence Channel, Bahamas (26° 07.90' N, 78° 32.50' W), in the subtropical North Atlantic Ocean at a depth of 1500 m (25° 46.90' N, 76° 49.50' W) and Joulter's Cay, Bahamas (25° 19.07' N, 78° 05.33' W). Water samples were taken with Niskin bottles on the cruises and with a dip bucket for Tampa Bay sampling.

VFF concentration of samples. A Benchmark rotary biofiltration unit (Membrex Inc., Garfield, NJ, USA) was used for VFF concentration of samples. The system was set up in the recirculation configuration as previously described (Paul et al. 1991) with either a 0.45 µm or a 100 kD filter. The filtration was performed at 9 to 10 psi (4.7 to 6.7 × 10⁴ Pa) with a filter rotation speed of 2000 rpm for a 200 cm² filter or at 7 to 8 psi (4.7 to 5.4 × 10⁴ Pa) with a filter rotation speed of 1500 rpm for a 400 cm² filter. The sample was pumped in from the feed vessel in the recirculation mode until the feed vessel was empty. The concentrated, filtered water was termed the 'retentate', and the filtrate was termed the 'permeate'. At this time the feed port was closed, an air pump was fitted to the retentate line, and the retentate volume reduced under positive air pressure to 15 to 50 ml.

A Pacesetter unit (Membrex, Inc.) with a 100 kD filter was used for large-volume water samples (71.8 to 415.3 l). This system is based on the same design as the Benchmark but equipped with a 2300 cm² filter (Fig. 2). The operation procedure of this system is the same as the Benchmark except that, when the feed vessel was empty (Fig. 2), the retentate (reduced to a liter volume) was collected, and reconcentrated by the Benchmark System to 35 to 50 ml. The filtration rate of the Pacesetter and Benchmark Systems were 66.5 ± 10 l h⁻¹ and 7.8 l h⁻¹, respectively. Retentates were stored at 4 °C after harvesting.

Recovery of particulate DNA, chlorophyll *a* and bacteria. Particulate DNA was determined by the Hoechst 33258 method (Paul et al. 1982). Chlorophyll *a* was analyzed by the method of Holm-Hansen & Riemann (1978). Direct counts of bacteria were performed by DAPI epifluorescent microscopy as previously described (Paul 1982). The percent recovery in the retentate was calculated as: Retentate Recovery = $(C_r \times V_r / C_i \times V_i) \times 100$, where C_r is the concentration of cells, chlorophyll *a*, or particulate DNA in the retentate, V_r is the volume of retentate, C_i is the initial concentration and V_i is the initial volume. The percentage of material that passed through the filter was calculated as the concentration of material in the permeate divided by the initial (prefiltration) concentration multiplied by 100.

RESULTS

Concentration of bacteria

The results of concentration of bacteria by VFF appear in Table 1. Five liters of the Bayboro Harbor sample was concentrated to 15 ml by the Benchmark System with a 0.45 µm filter with a recovery of 19.3 %.

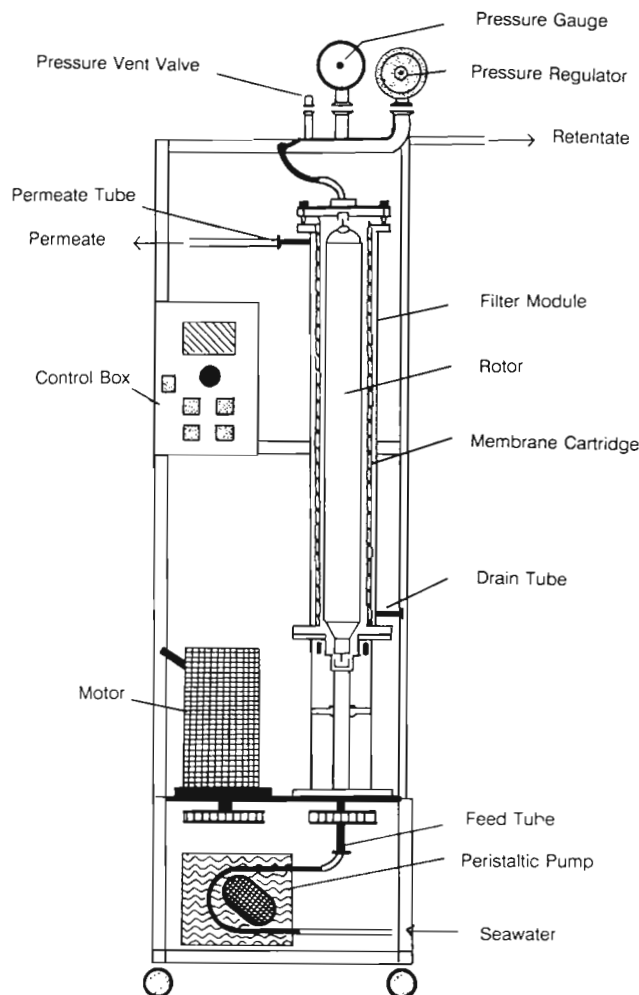


Fig. 2. Schematic diagram of a Pacesetter rotary biofiltration device. The filter module houses a single membrane cartridge with an area of 2.5 sq. ft (2300 cm²). The sample is drawn in by a peristaltic pump in the feed line, and recirculated, concentrated material returns to the feed vessel by the retentate line. The filtrate is passed through the permeate line. The volume filtered is determined by a flowmeter on the permeate line

Only 9.05 % of the original bacterial population was found in the permeate (see 'Discussion'). The Benchmark System with a 100 kD filter was used to process nearshore and offshore oceanic water samples as well as freshwater samples from Lake Maggorie and the Medard Reservoir. The recoveries ranged from 54.8 to 105 % ($\bar{x} = 80.5 \pm 18.4$ %). Only 2 permeates from the nearshore samples were analyzed, and less than 0.41 % of the bacteria passed the filter and was detected by direct counts in the permeate fraction. The lowest recovery of 54.8 % occurred in the oligotrophic environment of the Northwest Providence Channel of the Bahamas. For the Pacesetter System equipped with a 100 kD filter, recoveries ranged from 11.4 to 241 %

($\bar{x} = 43.5 \pm 30.9$ % not including the one of 241 %, see 'Discussion'). An oligotrophic water sample of 71.8 l from the Northwest Providence Channel, Bahamas, was concentrated to 34 ml with a recovery of 27.6 %. The lowest recovery (11.4 %) was obtained from a mesopelagic sample from the Atlantic Ocean (1500 m), which initially had 8.3×10^4 cells ml⁻¹. The retentate contained 3.34×10^7 cells ml⁻¹ for a concentration factor of 408.

Concentration of autotrophic populations: chlorophyll *a*

The results of the concentration of autotrophic populations as indicated by recovery of chlorophyll *a* by VFF appear in Table 2. When a Bayboro Harbor water sample was concentrated by the Benchmark System with a 0.45 μ m filter, a 41 % recovery was obtained. The retentate contained 1970 μ g chlorophyll *a* l⁻¹ compared to 14.4 μ g l⁻¹ for the starting material. Less than 0.48 % of the chlorophyll *a* in the original sample was detected in the permeate (see 'Discussion'). When a 100 kD filter was used in the Benchmark System, recoveries ranged from 75 to 97.7 % ($\bar{x} = 83.3 \pm 9.0$ %). In 3 of 8 experiments, chlorophyll *a* concentrations were analyzed in the permeates, and less than 2.8 % of the chlorophyll *a* in the original sample was found in this fraction. The Pacesetter System with a 100 kD filter gave a recovery of 38.1 %. In this experiment, 100 l of water was concentrated to 58.0 ml with a final concentration of 2167 μ g chlorophyll *a* l⁻¹. Up to 63.6 % of the chlorophyll *a* in the original sample was found in the permeate.

Concentration of microbial populations: particulate DNA

The results of the concentration of particulate DNA by VFF appear in Table 3. When the 0.45 μ m filter was employed, the particulate DNA from 5.0 l of seawater was concentrated to 15.0 ml, with an overall recovery of 22.6 %. A total of 36 μ g of DNA was obtained in the concentrate. Of the total particulate DNA, 27.4 % was found in the permeate. Using a 100 kD filter in this system the recoveries ranged from 66.8 to 96.1 % ($\bar{x} = 81.7 \pm 14.6$ %). An average of only 3.2 % of the total DNA content was detected in the permeates. The highest DNA yield was 436 μ g in 57 ml of concentrate. The Pacesetter System was used to concentrate 100 l of estuarine water to 58.0 ml (a 1724-fold concentration) with a 38 % recovery, yielding 1.2 mg DNA. Of the total particulate DNA, 47.6 % in the sample appeared in the permeate.

Table 1. Concentration of aquatic bacteria by VFF

Sample & date of collection	Initial volume (l)	Initial direct count (10^6 ml^{-1})	Final volume (ml)	Final direct count (10^6 ml)	Recovery (%)	Loss in permeate fraction (%)
Benchmark 0.45 μm filter						
Bayboro Harbor 31 Jul 1989	5.0	3.1 ± 0.22	15.0	199 ± 20	19.3	9.1
Benchmark 100 kD filter						
Lake Maggorie 29 Nov 1989	4.0	5.8 ± 0.07	30.0	563 ± 69	72.7	–
Medard Reservoir 29 Nov 1989	4.0	10.1 ± 1.6	25.0	1163 ± 144	72.0	–
Bayboro Harbor 6 Nov 1989	2.0	3.4 ± 0.4	22.0	323 ± 46	105	0
Hookers Point, Tampa Bay 7 Nov 1990	20.0	5.1 ± 1.1	57.0	1660 ± 243	93.7	0.41
St. Petersburg Pier 28 Nov 1990	5.0	3.7 ± 0.24	46.0	387 ± 45	96.2	–
St. Petersburg Pier 16 Jan 1991	5.0	2.6 ± 0.08	47.0	272 ± 13	98.3	–
St. Petersburg Pier 31 Feb 1991	5.0	2.2 ± 0.06	47.0	144 ± 9.6	61.5	–
St. Petersburg Pier 27 Mar 1991	5.0	2.3 ± 0.24	37.0	204.0 ± 58.1	65.6	–
St. Petersburg Pier 14 May 1991	5.0	3.2 ± 0.12	51.0	318 ± 15.7	101	–
N.W. Providence Channel, Bahamas 31 Aug 1990	25.0	0.42 ± 0.14	36.4	158 ± 9.3	54.8	–
Mangrove lagoon, Joulter's Cay, Bahamas 11 Sep 1990	10.0	1.4 ± 0.31	50.0	180 ± 16	64.3	–
Pacesetter 100 kD filter						
Hookers Point, Tampa Bay 7 Nov 1990	100	5.1 ± 1.1	58.0	4621 ± 234	52.6	–
Atlantic Ocean, Miami Beach 30 Aug 1990	306	1.3 ± 0.28	50.0	6540 ± 140	82.2	–
Joulter's Cay, Bahamas 3 Sep 1990	415.3	0.46 ± 0.035	50.0	9200 ± 1980	241	–
N.W. Providence Channel, Bahamas 31 Aug 1990	71.8	0.42 ± 0.14	34.0	245 ± 102	27.6	–
Atlantic Ocean, 1500 m depth 1 Sep 1990	192.8	0.083 ± 0.022	53.6	33.9 ± 6.1	11.4	–

DISCUSSION

The VFF Benchmark System with a 100 kD filter has been shown to be an efficient and rapid means of concentrating autotrophic and heterotrophic microbial populations from aquatic environments. The overall efficiencies of harvesting particulate DNA, chlorophyll *a* and bacteria were 81.7, 83.8 and 80.5 % respectively. The efficiency of the Pacesetter System was about half of that of the Benchmark System (38.0, 38.1 and 43.6 % for particulate DNA,

chlorophyll *a* and bacteria, respectively). However, the water sample was processed 8.5 times faster by the Pacesetter System than the Benchmark System (66.5 l h^{-1} and 7.8 l h^{-1} for Pacesetter and Benchmark System, respectively, with 100 kD filters). It is therefore practical to harvest several hundred liters of seawater with the latter. The Benchmark System is preferred when samples are less than 50 l. Its small size, light weight, and general mobility make it easier for processing samples near field sites and on cruises.

Table 2. Concentration of chlorophyll *a* by VFF

Sample & date of collection	Initial volume (l)	Initial conc. ($\mu\text{g l}^{-1}$)	Final volume (ml)	Final conc. ($\mu\text{g l}^{-1}$)	Recovery (%)	Loss in permeate fraction (%)
Benchmark 0.45 μm filter						
Bayboro Harbor 31 Jul 1989	5.0	14.4 \pm 1.21	15.0	1970 \pm 50	41	0.48
Benchmark 100 kD filter						
Bayboro Harbor 23 Oct 1989	2.0	4.5 \pm 0.16	13.5	500 \pm 34	75	2.8
Bayboro Harbor 6 Nov 1989	2.0	3.0 \pm 0.15	22.0	233 \pm 35	85.4	0.3
Hookers Point, Tampa Bay 7 Nov 1989	20.0	3.3 \pm 0.28	57.0	921 \pm 20	80.0	0
St. Petersburg Pier 28 Nov 1990	5.0	1.58 \pm 0.1	46.0	129 \pm 16.3	75.1	–
St. Petersburg Pier 16 Jan 1991	5.0	3.82 \pm 0.1	47.0	397 \pm 97.6	97.7	–
St. Petersburg Pier 13 Feb 1991	5.0	4.25 \pm 0.69	47.0	405 \pm 24.5	89.6	–
St. Petersburg Pier 27 Mar 1991	5.0	1.43 \pm 0.3	37.0	180 \pm 6.8	93.1	–
St. Petersburg Pier 14 May 1991	5.0	3.81 \pm 0.18	51.0	300 \pm 17.6	80.3	–
Pacesetter 100 kD filter						
Hookers Point, Tampa Bay 7 Nov 1990	100.0	3.3 \pm 0.28	58.0	2167 \pm 53	38.1	63.6

The efficiency of recovery appeared related to the initial cell concentration of the sample. The efficiency was lower in the mesopelagic and oligotrophic environments, where the initial cell concentration was low. This may be because a constant number of

the cells always attached to the filter and/or cylinder chamber. The lower the initial cell concentration is, the higher this percentage of the cells becomes, and the lower the recovery is.

We are confident that the 100 kD filter equally

Table 3. Concentration of microbial populations by VFF: particulate DNA

Sample & date of collection	Initial volume (l)	Initial conc. ($\mu\text{g l}^{-1}$)	Final volume (ml)	Final conc. ($\mu\text{g l}^{-1}$)	Recovery (%)	Loss in permeate fraction (%)
Benchmark 0.45 μm filter						
Bayboro Harbor 31 Jul 1989	5.0	33.1 \pm 0.9	15.0	2490 \pm 190	22.6	24.7
Benchmark 100 kD filter						
Bayboro Harbor 23 Oct 1989	2.0	43.9 \pm 8.2	13.5	5353 \pm 687	82.3	1.8
Bayboro Harbor 6 Nov 1989	2.0	41.7 \pm 6.8	22.0	3645 \pm 310	96.2	7.8
Hookers Point, Tampa Bay 7 Nov 1990	20.0	32.6 \pm 3.8	57.0	7644 \pm 610	66.8	0
Pacesetter 100 kD filter						
Hookers Point, Tampa Bay 7 Nov 1990	100.0	32.6 \pm 3.8	58.0	21379 \pm 3200	38.0	47.6

concentrates small and large cells. Our previous work on concentration of T2 phage (80 to 110 nm; Freifelder 1987) with a 100 kD filter using the Benchmark system yielded a recovery of 72.8 % (Paul et al. 1991). If the 100 kD filter efficiently harvested viruses, we believe it will also efficiently harvest bacterioplankton and phytoplankton, even the smallest forms.

The loss detected in the permeate may reflect leakage (mixing of retentate and permeate due to seal problem between 2 chambers), or cells passing through the membrane. Like most other filters, this membrane filter may contain a range of pore sizes. Thus a percentage of the greater than 100 kD fraction may be able to pass through the membrane. This may also explain the reason why with the 100 kD filter Pacesetter system achieved only about half of the efficiency of the Benchmark System. The Pacesetter is apparently designed to process samples with much higher cell concentrations than found in oligotrophic ocean waters. The manufacturer claims > 99 % recovery when a saturated culture of *Escherichia coli* was concentrated by a Pacesetter System with a 100 kD filter (Membrex, Inc. DF 106).

The 0.45 μm filter was used in our Benchmark System only once in this study. Because of its low efficiency, we thought it was not suitable to concentrate microbial populations from aquatic environments. The total recovery (permeate and retentate) was 28.4 % for bacteria, 41.5 % for chlorophyll *a*, and 47.3 % for particulate DNA. Because the filter appeared brown after use, we suspect that the remaining half of the microbial population was stuck on the filter surface with this filter type.

When the Pacesetter was used to concentrate 415.3 l of water from Joulter's Cay, recovery was 241 %, indicating that more cells were found in the retentate than in the starting material. The concentration procedure took about 7.3 h, and it is possible that the cells might have multiplied inside the Pacesetter cylinder chamber during the concentration period. This may be a problem with long-term concentration of unfixed samples by ultrafiltration. Bringing large quantities of cells into contact with high molecular weight nutrients can result in cell population growth.

For most experiments, the total biomass in the permeate and retentate was lower than initial concentration (\bar{x} = 77.2 %). This might be because some of the cells were adsorbed on the filter, cylinder wall or feed vessel, or that cells were lysed by the process. All filtration techniques share the drawback that they potentially cause cell lysis. According to the manufacturer, VFF yields high cell recoveries, even for fragile mammalian cells. A recovery of 93 % was reported for mammalian cells concentrated by 100 kD

filter at 2000 rpm (Membrex, Inc. DF 109, DF 111). We would expect bacterial populations to be more resistant to breakage than mammalian cells.

VFF is a new filtration technology for the concentration of aquatic microbial populations. Our work demonstrates the feasibility of harvesting large quantities of naturally occurring picoplankton by VFF. It may be applied in the phylogenetic study of unculturable marine picoplankton, pigment properties of phytoplankton populations, and lipids of aquatic microbial populations. VFF is not only able to concentrate picoplankton, but it also has been used to collect viruses and dissolved DNA from aquatic environments (Paul et al. 1991). Additionally, bacteriophages have been isolated from VFF retentates of seawater samples. This technology may also be applicable to the detection and quantitation of pathogenic viruses and other microbial pathogens from estuarine waters.

LITERATURE CITED

- Barthel, K. G., Schneider, G., Gradinger, R., Lenz, J. (1989). Concentration of live pico- and nanoplankton by means of tangential flow filtration. *J. Plankton Res.* 11: 1213–1221
- David, A. W., Paul, J. H. (1989). Enumeration and sizing of aquatic bacteria by use of a silicon-intensified target camera linked-image analysis system. *J. microbiol. Meth.* 9: 257–266
- Freifelder, D. (1987). *Molecular biology*. Jones & Bartlett Publications, Inc., Boston
- Fuhrman, J. A., Comeau, D. E., Hagström, A., Chan, A. M. (1988). Extraction from natural planktonic microorganisms of DNA suitable for molecular biological studies. *Appl. environ. Microbiol.* 54: 1426–1429
- Giovannoni, S. J., Britschgi, T. B., Moyer, C. L., Field, L. G. (1990a). Genetic diversity in Sargasso Sea bacterioplankton. *Nature, Lond.* 345: 60–63
- Giovannoni, S. J., DeLong, E. F., Schmidt, T. M., Pace, N. R. (1990b). Tangential flow filtration and preliminary phylogenetic analysis of marine picoplankton. *Appl. environ. Microbiol.* 56: 2572–2575
- Holm-Hansen, O., Riemann, B. (1978). Chlorophyll *a* determination: improvements in methodology. *Oikos* 30: 438–448.
- Jannasch, H. W., Jones, G. E. (1959). Bacterial populations in seawater as determined by different methods of enumeration. *Limnol. Oceanogr.* 4: 128–139
- Kogure, K., Simidu, U., Taga, N. (1979). A tentative direct microscopic method for counting living marine bacteria. *Can. J. Microbiol.* 25: 415–420
- Membrex, Inc. Bacterial cell harvesting: Vortex Flow Filtration vs Tangential Flow Filtration Systems. Pacesetter notes. DF 106. Garfield, NJ
- Membrex, Inc. IgM clarification and concentration with high throughput and product recovery. Pacesetter notes. DF 109. Garfield, NJ
- Membrex, Inc. Rapid clarification of 1L-2 from mammalian cells with high product recovery and high cell viability. Pacesetter notes. DF 111. Garfield, NJ
- Paul, J. H. (1982). Use of Hoechst dyes 33258 and 33342 for enumeration of attached and planktonic bacteria. *Appl. environ. Microbiol.* 43: 939–944

- Paul, J. H., Myers, B. (1982). Fluorometric determination of DNA in aquatic microorganisms by use of Hoechst 33258. *Appl. environ. Microbiol.* 43: 1393-1399
- Paul, J. H., DeFlaun, M. F., Jeffrey, W. H. (1986). Elevated levels of microbial activity in the coral surface microlayer. *Mar. Ecol. Prog. Ser.* 33: 29-40
- Paul, J. H., Jeffery, W. H., DeFlaun, M. F. (1985). Particulate DNA in subtropical oceanic and estuarine environments. *Mar. Biol.* 90: 95-101
- Paul, J. H., Jeffery, W. H., DeFlaun, M. F. (1987). Dynamics of extracellular DNA in the marine environment. *Appl. environ. Microbiol.* 53: 170-179
- Paul, J. H., Jeffery, W. H., David, A. W., DeFlaun, M. F., Cazares, L. H. (1989). Turnover of extracellular DNA in eutrophic and oligotrophic freshwater environments of southwest Florida. *Appl. environ. Microbiol.* 55: 1823-1828
- Paul, J. H., Jiang, S. C., Rose, J. B. (1991). Concentration of viruses and dissolved DNA from aquatic environments by Vortex Flow Filtration. *Appl. environ. Microbiol.* 57: 2197-2204
- Reynolds, K. A., Jiang, C., Rose, J. B. (1991). The isolation and quantification of bacteriophage from the marine environment. In: Abstracts of the 91st General Meeting of the American Society for Microbiology, Abstract Q-121. American Society for Microbiology, Washington, D.C., p. 296
- Proctor, L. M., Fuhrman, J. A. (1990). Viral mortality of marine bacteria and cyanobacteria. *Nature, Lond.* 343: 60-62
- Sherr, B. F., Sherr, E. B., Fallon, R. D. (1987). Use of monodispersed, fluorescently labeled bacteria to estimate in situ protozoan bacterivory. *Appl. environ. Microbiol.* 53: 958-965
- Somerville, C. C., Knight, I. T., Straube, W. L., Colwell, R. R. (1989). Simple, rapid method for direct isolation of nucleic acids from aquatic environment. *Appl. environ. Microbiol.* 55: 548-554
- Taylor, G. I. (1923). Stability of viscous liquid contained between two rotating cylinders. *Phil. Trans. R. Soc.* 223: 289-343
- Ward, D. M., Weller, R., Bateson, M. M. (1990). 16s rRNA sequences reveal numerous uncultured microorganisms in a natural community. *Nature, Lond.* 345: 63-65
- Watson, S. W., Novitsky, T. J., Quinby, H. L., Valois, F. W. (1977). Determination of bacterial number and biomass in the marine environment. *Appl. environ. Microbiol.* 33: 940-946

This article was presented by S. Y. Newell, Sapelo Island, Georgia, USA

*Manuscript first received: October 1991
Revised version accepted: January 9, 1992*